

R19L300, R19L340

● Features and Benefits

- Full consideration for touch screen installation and applications
- Slim profile for any space-constricted applications
- Two maximum resolution choices: 1280x1024
- Flexible choices of touch screen, glass and audio
- Multiple choices of colors for matching up the design of environment
- Flexible A/D board R/D design supporting various panel manufacturer standards
- Hot key design for auto-adjustment
- Hot key design for channel switch to VGA, S-Video and CVBS
- VESA mounting standard for mobile application

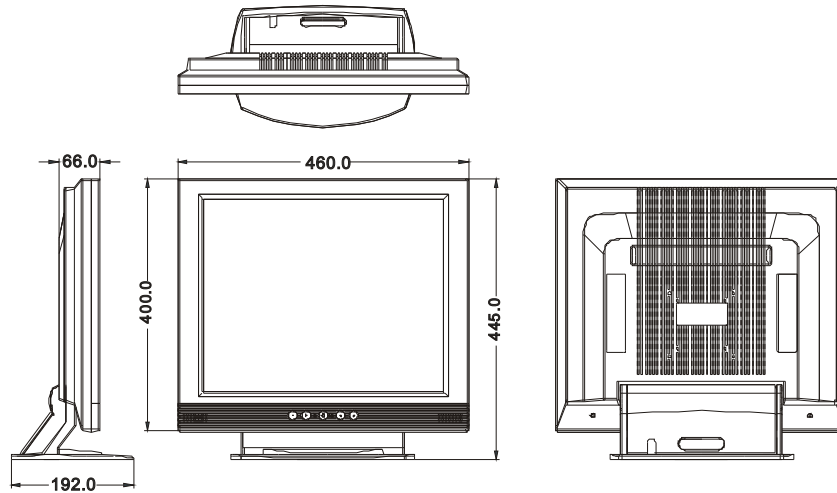


● Specification

Model Name	R19L300, R19L340
Viewable Size Image	19"
Active Display Area(mm)	367. 32(H)x301. 056(V)
Pixel Pitch(mm)	0. 294(H)x0. 294(V)
Number of Pixels	1280x1024
Contrast Ratio	600: 1(typ.)
Display Color	16. 7M(8 bits/colors)
Brightness(CD/m ²)	250
Viewing Angel(CR>= 10)	-85~85(H);-85~85(V)
Synchronization Range	
Horizontal/Vertical	31. 5~80KHz/56~75Hz
Recommended Resolution	1280x1024@60Hz, 75Hz
Signal Connector	15pin D-sub
Power Source	AC100~240V, Universal, ±10%
Power Consumption	41W typical, normal operation
Power Management	VESA DPMS Compliant
Plug & Play	VESA DDC 1/2B
Optional Video Input	S-Video, Composite
Optional DVI Input	No
Optional Touch Screen	Ressitive, Capacitive, SAW
Size & Weight	460mm(W)x440mm(H)x192mm(D) Not: 8. 5kg(body), Gross:9. 2kg(body and box)

Remarks: R19L300 series=VGA input only
 R19L340 series=VGA+Video input

Mechanical Drawing



Ordering Information

Model Name	Features		Optional Items			
	VGA	Video	VM	TS or GS	SS	Colors
R19L300	●		●	●	●	○ ● ●
R19L340	●	●	●	●	●	○ ● ●

Optional Item **TS** =Touch Screen

GS =Glass

SS =Stereo

VM =VESA Mounting

Color

○ W=Beige

● B=Black

● S=Silver (Min Order Required)